

TEPPANYAKI

32 inch outdoor teppanyaki griddle

Note: For detailed installation guide, refer to product manual

Specifications

GENERAL

Model TEPPANYAKI
SKU DHTG32

POWER REQUIREMENTS

Electrical Supply 120V, 60Hz, 4A
Electrical Service 15 amp dedicated circuit
Power Cord Length 5 feet
Receptacle 3 prong grounding plug

GAS REQUIREMENTS

Natural Gas or Liquid Propane
Gas Supply 3/4" ID line
Gas Inlet 1/2" NPT female
Total BTU 37,000

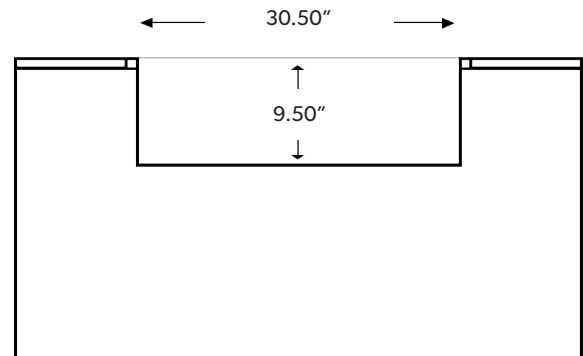
CLEARANCE REQUIREMENTS

Requires Minimum 12" all around
Non-Combustible Enclosure Only

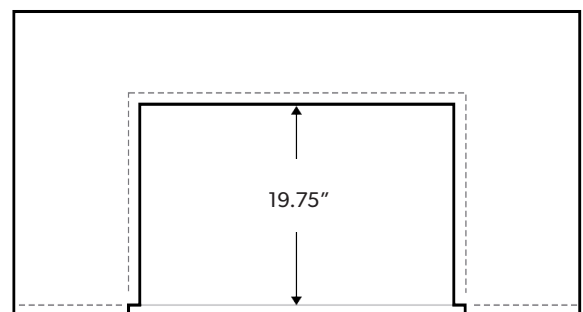
CUTOUT DIMENSIONS

Opening Width 30.50 inch
Opening Height 9.50 inch
Opening Depth 19.75 inch

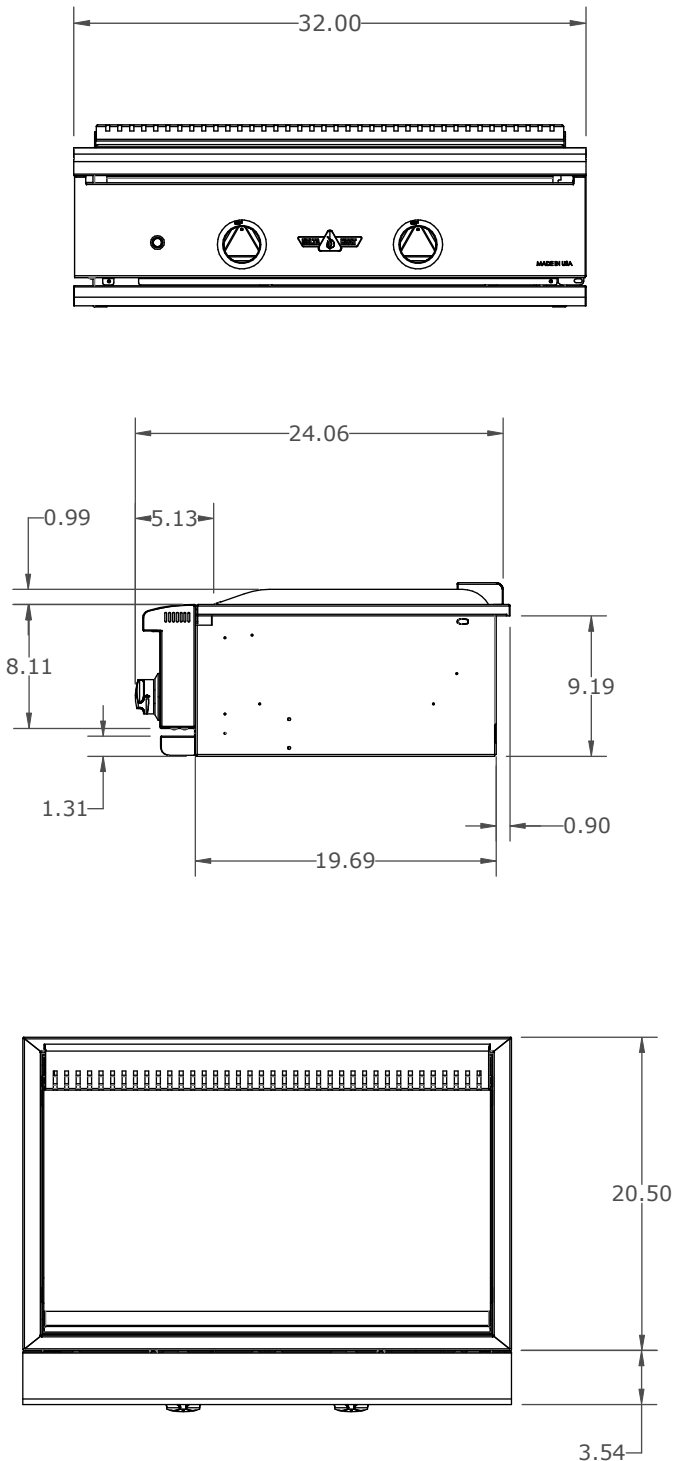
NON-COMBUSTIBLE INSTALLATION



Face View



Top View



Box Dimensions
33 x 37 x 33 (inches)
Shipping Weight 175 lbs