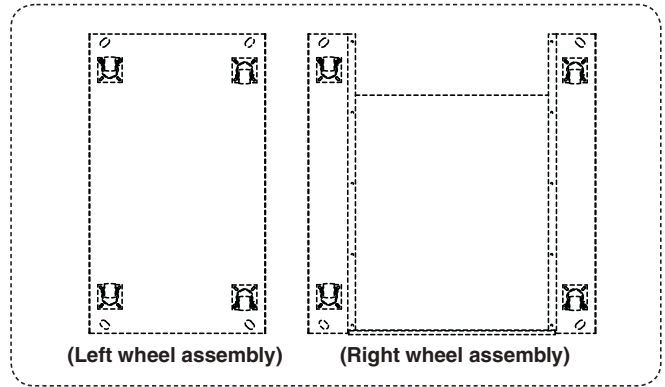




# ISLAND ENCLOSURE WHEEL KIT

Model # DC-WK-03

**INSTALLER:** Leave these instructions with consumer.  
**CONSUMER:** Retain for future reference.



This wheel kit is only for installation on Fire Magic Island Enclosure models: DC430-CBR-75SM  
DC790-CBR-108SM

## WHEN INSTALLING ON AN UNASSEMBLED ISLAND ENCLOSURE

Prior to assembling the island enclosure, install the wheel kit per the steps below.

- Carefully place the left island wall upside down.
- Align the left wheel assembly and fasten using the included hardware and a 9/16" open-end wrench or equivalent (Fig. 1-2).

**Note:** The wheel assembly must stay level when being installed.

- Repeat for the right island wall using the right wheel assembly as shown in Fig. 1-3.

**Note:** The wheel assembly must stay level when being installed.

- Follow your island instruction manual to complete island installation.

**Important:** Before installing the countertop, use the included hardware to properly secure the wheel assemblies to the front and rear walls.

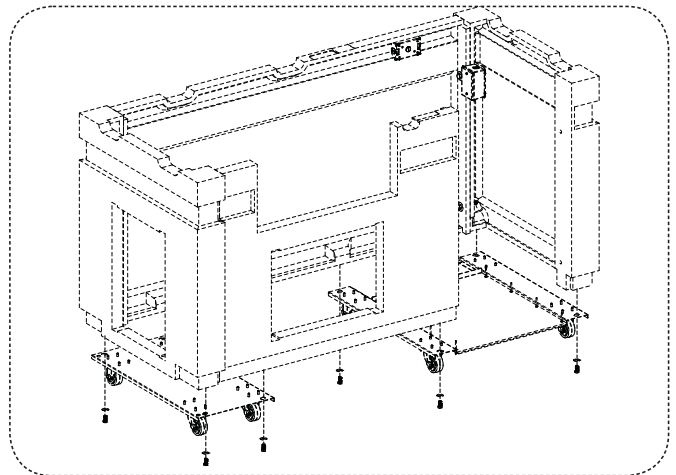


Fig. 1-1 Overall install detail

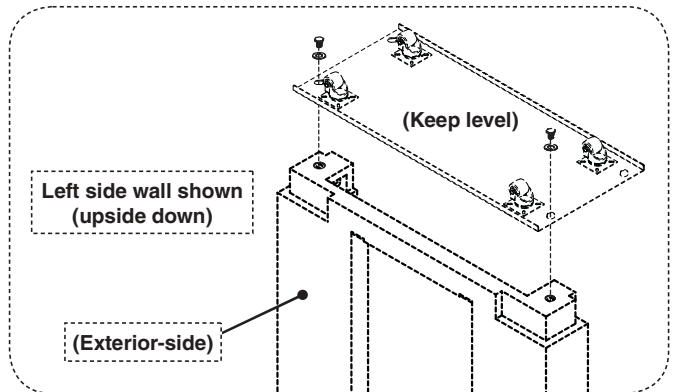


Fig. 1-2 Install left wheel assembly to bottom of left side wall

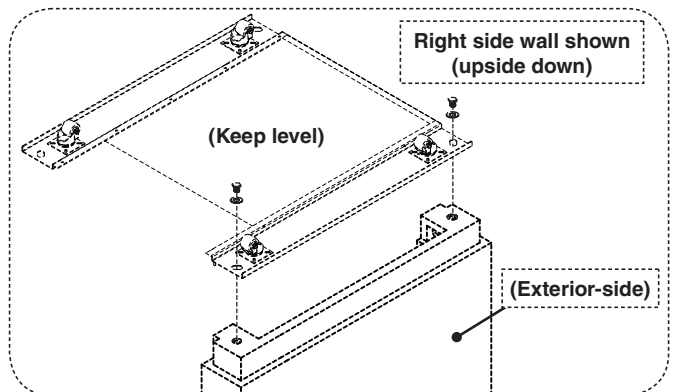


Fig. 1-3 Install right wheel assembly to bottom of right side wall

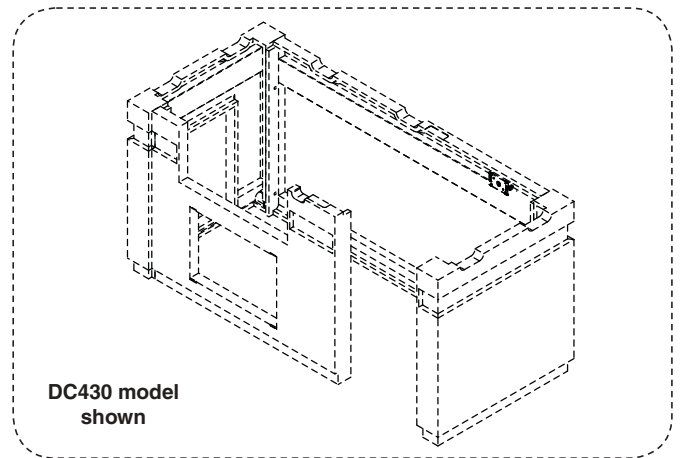
## WHEN INSTALLING ON AN ASSEMBLED ISLAND ENCLOSURE

**WARNING:** Use extreme care when installing this wheel kit on an existing island that has already been fully assembled. Use two or more people when handling the island enclosure.

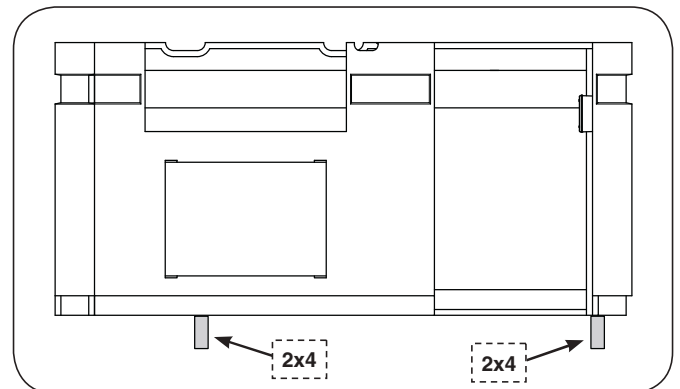
1. Remove any appliances, doors, drawers, and countertop leaving only the island frame fully-assembled. See Fig. 2-1.

**WARNING:** Take into consideration any gas supply plumbing, electrical wires, etc. when moving/removing these items.

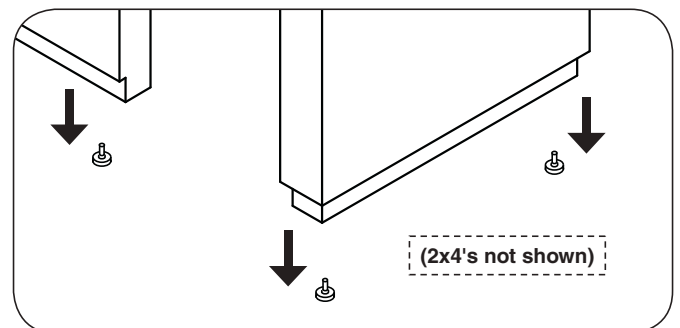
2. Carefully place two 2x4's under the island enclosure as shown in Fig. 2-2. (Keep clear of any levelers.)
3. Remove all levelers (see Fig. 2-3) and install the left wheel assembly to the left side of the enclosure using the included hardware and a  $\frac{9}{16}$ " open-end wrench or equivalent (see Fig. 2-4).



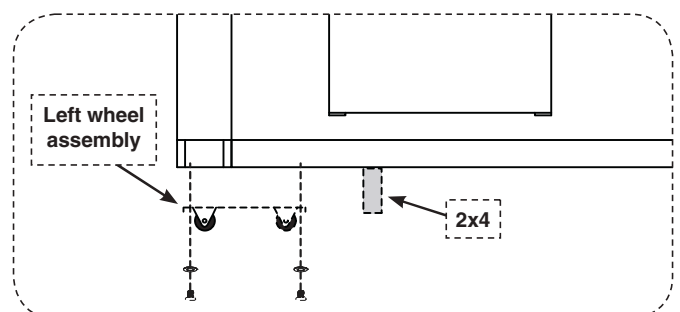
**Fig. 2-1** Remove appliances, doors drawers, etc.



**Fig. 2-2** Place 2x4's under island enclosure

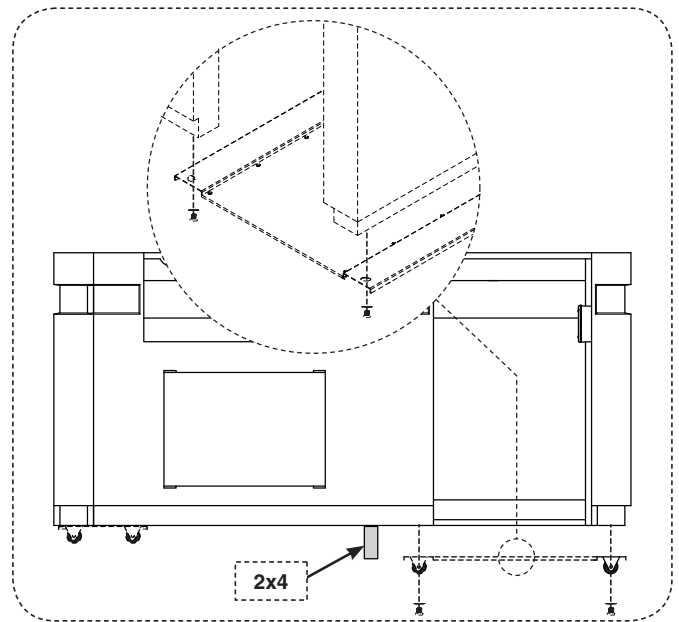


**Fig. 2-3** Remove Levelers



**Fig. 2-4** Install left wheel assembly

4. Carefully shift the left 2x4 to the right (a few inches clear from the bolt nut) and completely remove the 2x4 on the far right (allowing the left wheels to touch the ground). Carefully align and install the right wheel assembly as shown in Fig. 3-1.
5. Carefully lift up the right side of the island enclosure and slowly remove the 2x4 (allowing all wheels to touch the ground).
6. Re-install the countertop, all appliances, doors, and drawers taking into consideration any gas supply plumbing, electrical wires, etc. when reinstalling. Refer to your grill instruction manual for installation.



**Fig. 3-1** Install right wheel assembly

**NOTES PAGE**

Please use this page to record any information that you may want to have at hand.