

BACKBURNER ELECTRODE ASSEMBLY

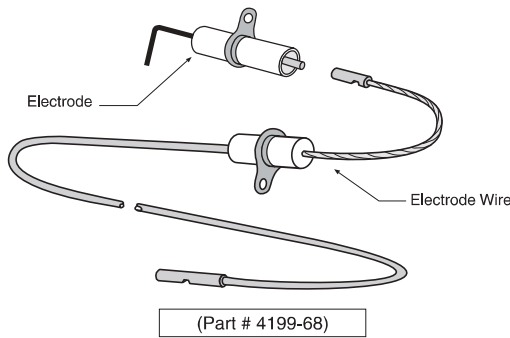
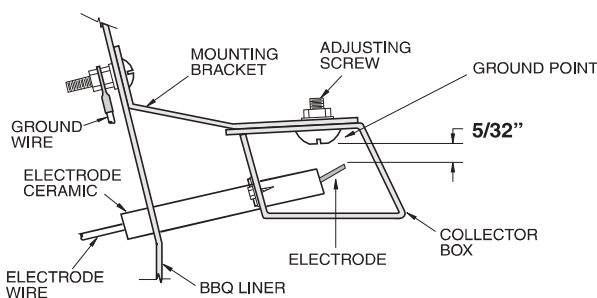


Figure 1

Fire Magic®

The Ultimate Barbecue

**Model No. 4199-68
BACKBURNER ELECTRODE
REPLACEMENT KIT
(PRE-YEAR 2000 UNITS)**



* 5/32" on Backburner BBQ's

Figure 2

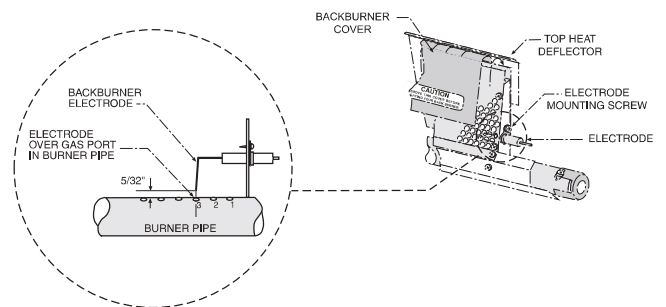


Figure 3

INSTALLATION OF THE BACKBURNER ELECTRODE

1. Remove the backburner cover and unplug the backburner electrode wire (Figure 1 and 3).
2. Use a Phillips screwdriver to remove the mounting screw at the left end of the backburner (see Owner's Manual for more details on removing backburner). Be cautious not to lose the spacer bushing that holds the burner away from the mounting bracket.
3. Carefully move the left end of the backburner assembly forward while pulling it gently away from the orifice holder which supports the right end of the burner. Remove the burner assembly from the barbecue oven.
4. Use a 1/4" socket screwdriver or a small wrench to remove the electrode mounting screw (Figure 3). Check the new electrode to see if the plug on the electrode wire matches the plug on the new electrode (Figure 1). If the plug fits, inspect the electrode wire insulation for fraying or other damage. If the plug doesn't fit, the wire must be replaced at this time.
5. To replace the electrode wire, remove the screw on the side of the oven and replace the old wire with the new one. Follow instructions in the installation and operating manual for removal of the face or top panel. The wire match holder provided with the barbecue and backburner electrode wires can be helpful to pull the electrode wire forward inside the barbecue frame.
6. If the spark generator (on the face or top panel of the barbecue) has plugs for three wires, the ground wire must be plugged into the center plug. The barbecue and backburner electrode wires can be plugged into either outside plug. If the generator has two plugs, there will be no ground and it makes no difference which plug the electrodes plug into.
7. Before reassembling the backburner and face, check the electrode gap for barbecue and backburner (Figure 2 and 3). Also, before fully reassembling, plug in all wires and check for spark at both electrodes. A small mirror will be helpful for checking the barbecue electrode spark.
8. Follow instructions in the barbecue manual for air shutter adjustment, then reassemble.

This manual may not be copied, photocopied, reproduced, translated, or published in any electronic or machine-readable form in whole or in part without prior written approval of Robert H. Peterson Co.

We reserve the right to amend product specifications without prior notice.

ROBERT H. PETERSON CO. • 14724 East Proctor Avenue • City of Industry, CA 91746